

Warm Up: work out the Title and Wait for today's lesson.



T



This is Pythagoras!



Who lived in ancient Greece.....



He was a Genius!



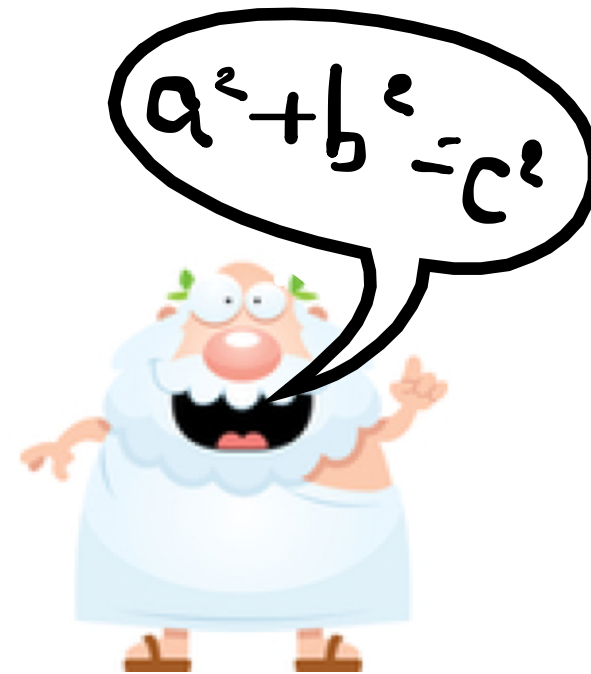
Possibly an evil genius.....!?

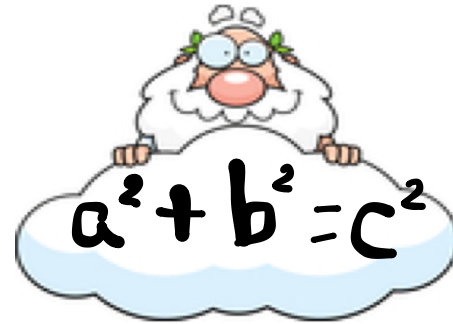
Through lots of hard work and playing with triangles....



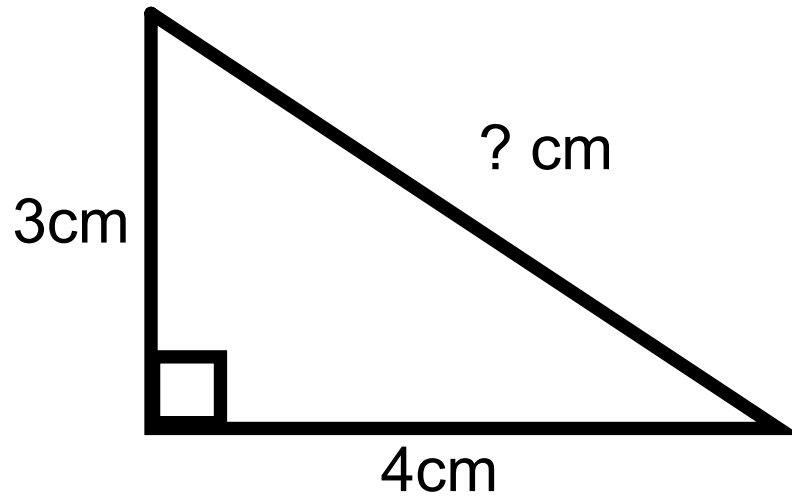
(ok so maybe a crazy evil genius)

He discovered a rule for finding a missing side of a triangle....



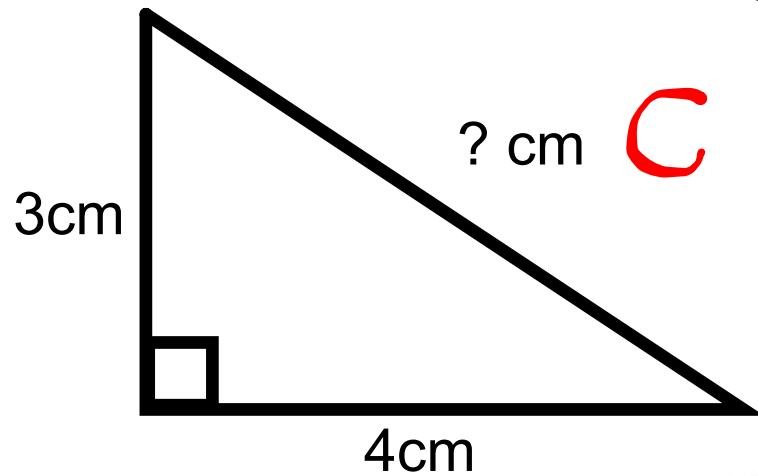


Here's a question...



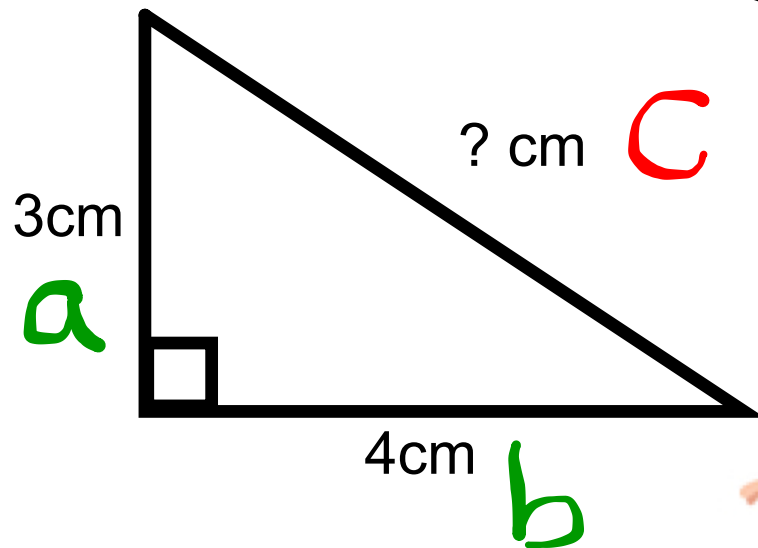
HANG ON A SECOND!!!  
what do each of the letters  
mean??!!!





c is the hypotenuse - the longest side.....  
this is ALWAYS opposite your right  
angle!!

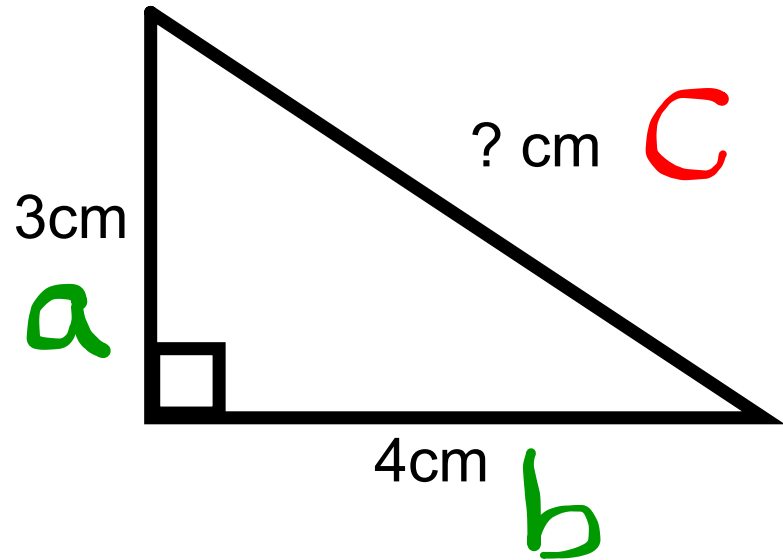




a and b are the two shorter sides.....  
these can be labelled either way  
round.....

It's up to you!!!





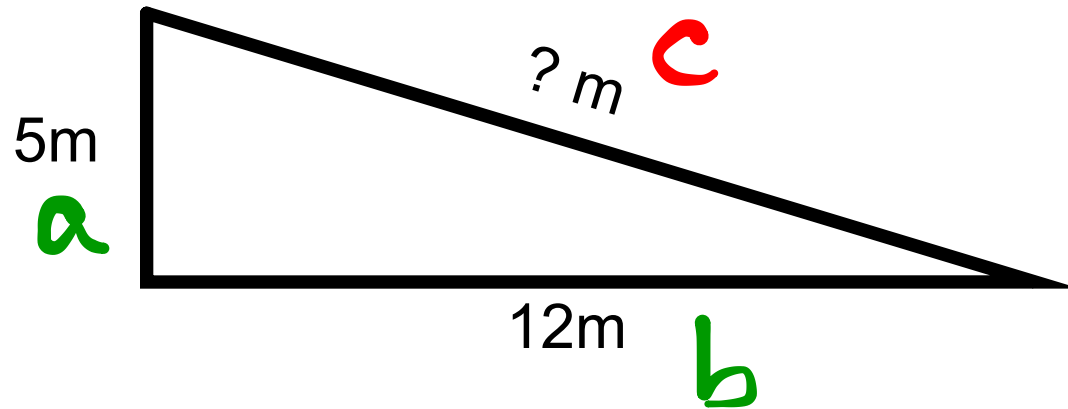
$$a^2 + b^2 = c^2$$

$$3^2 + 4^2 = ?^2$$

$$9 + 16 = 25$$

$$?^2 = 25 \Rightarrow ? = \sqrt{25} = \underline{\underline{5}} \text{ cm}$$





$$a^2 + b^2 = c^2$$

$$5^2 + 12^2 = ?^2$$

$$25 + 144 = 169$$

$$?^2 = 169 \Rightarrow ? = \sqrt{169} = 13m$$

Here's another example just for you.....

